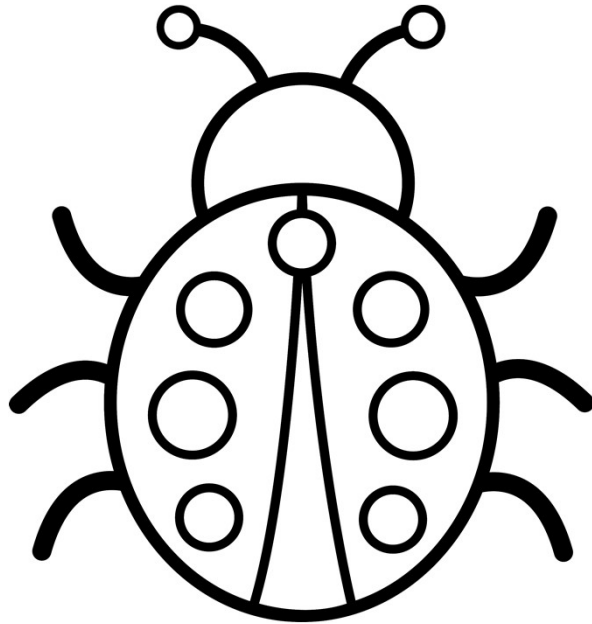
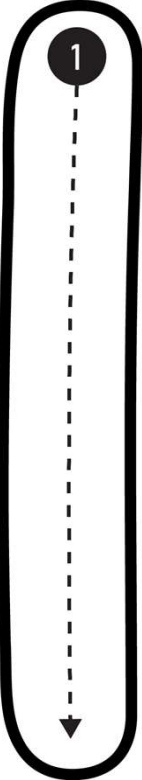
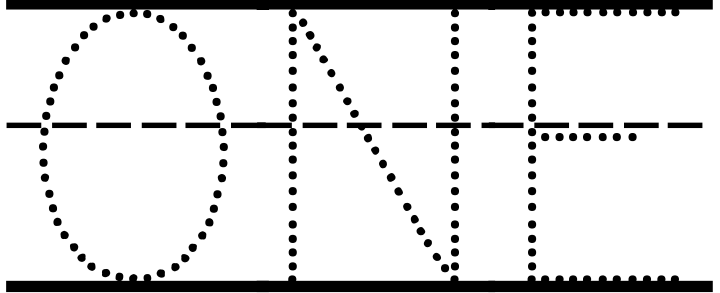


Name.....

Date:

WRITE AND COLOR THE OBJECT



	
---	--